



ADDRESS: Cumhuriyet Mah. Eski Hadımköy Yolu  
No:29/A Büyükçekmece İstanbul/TÜRKİYE

www.oztiryakiler.com.tr

Fax: 0090 212 886 66 29

Fax: 0090 212 886 66 29

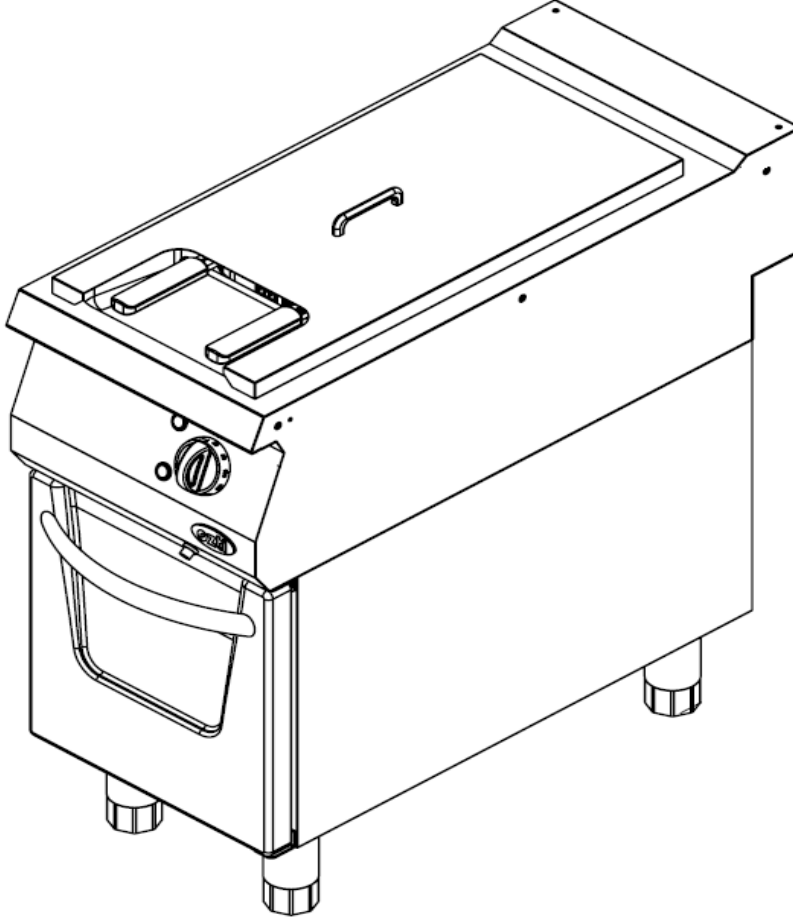
Serie: 900

Type: ELECTRICAL

Appliance Name: FRYER

Model: OFEI 4090

Code: 7856.N1.40908.02



- 2 mm. stainless steel worktop.
- Construction in stainless steel.
- Frying bowl is monoblock.
- High efficiency heating elements are made of stainless steel.
- Temperature can be adjusted between 60-190°C.
- Limit thermostat is available.
- Major parts located in front of unit for easy maintenance.
- Oil drain through a tap.(Tap positioned under the well.)
- Different cooking times and temperatures are available with electronic control system.
- Feet are made of stainless steel and the height can be adjustable.
- 2 fryer baskets and one drainage pipe are standard accesories.
- 22 Lt. Oil capacity.
- Cooking time 3-3,5 min.
- Production Capacity: 40 Kg/hr.





ADDRESS: Cumhuriyet Mah. Eski Hadımköy Yolu  
No:29/A Büyükçekmece İstanbul/TÜRKİYE

www.oztiryakiler.com.tr

Telephone: 0090 212 886 78 00

Fax: 0090 212 886 66 29

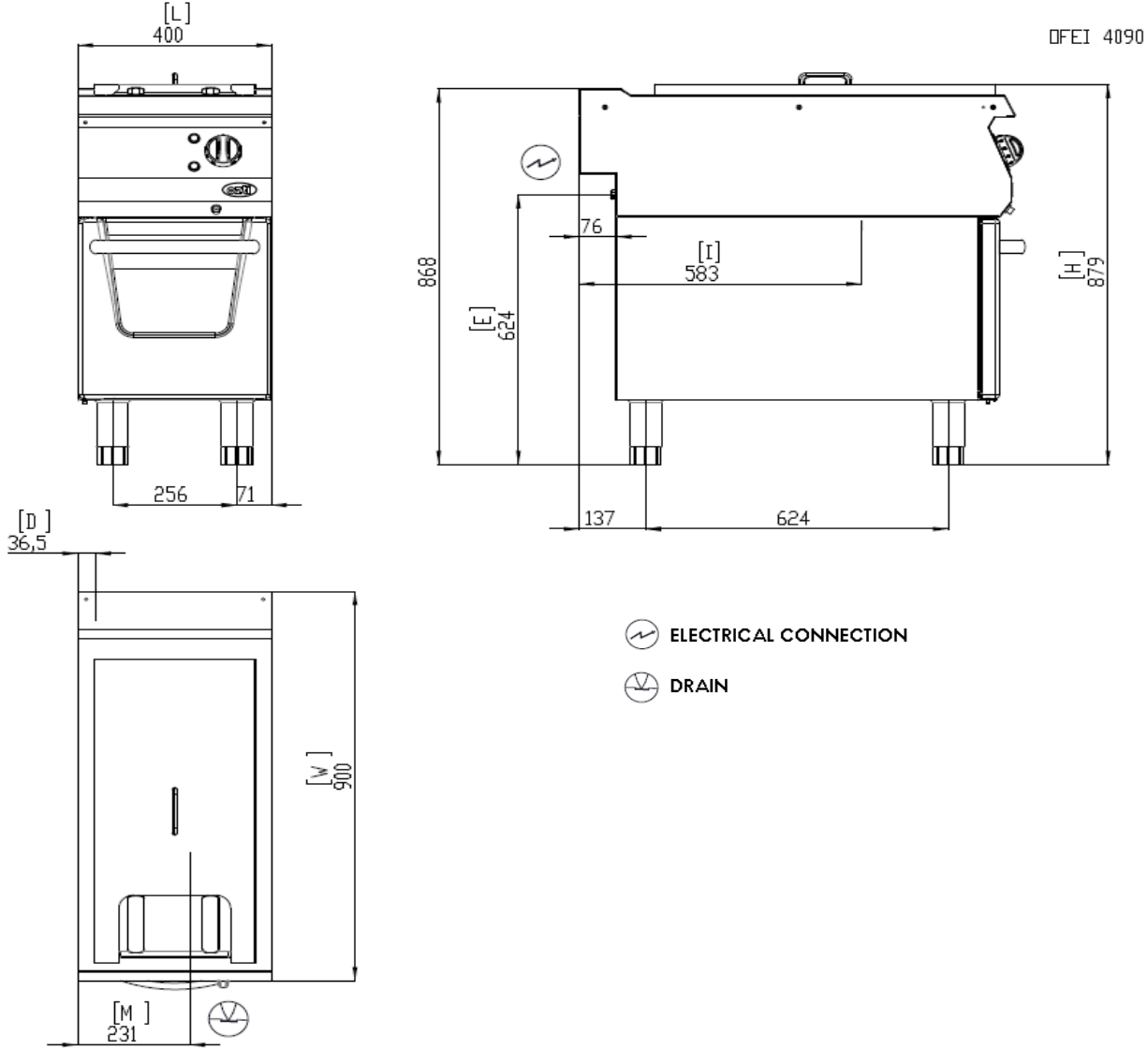
Serie: 900

Type: ELECTRICAL

Appliance Name: FRYER

Model: OFEI 4090

Code: 7856.N1.40908.02



MODEL	CODE	TYPE	L (mm.)	W (mm.)	H (mm.)	POWER (KW.)	TOTAL POWER (KW.)	TEMPERATURE (°C)
OFEI 4090	7856.N1.40908.02	ELECTRICAL	400	900	850	1x18 KW	18	60-190

