

Unit Information

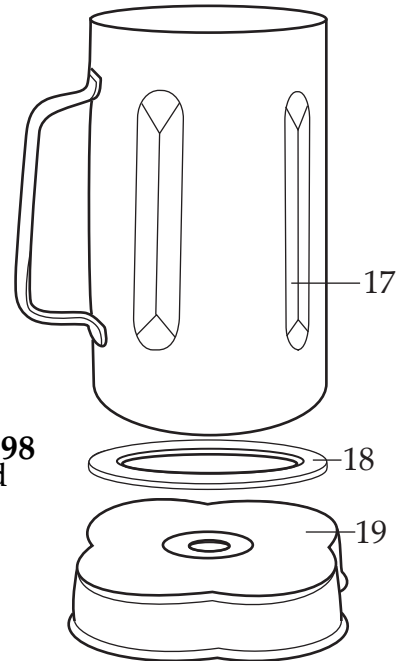
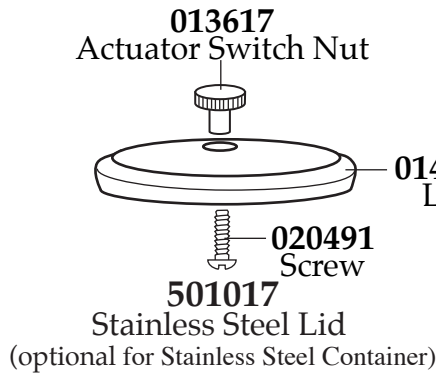
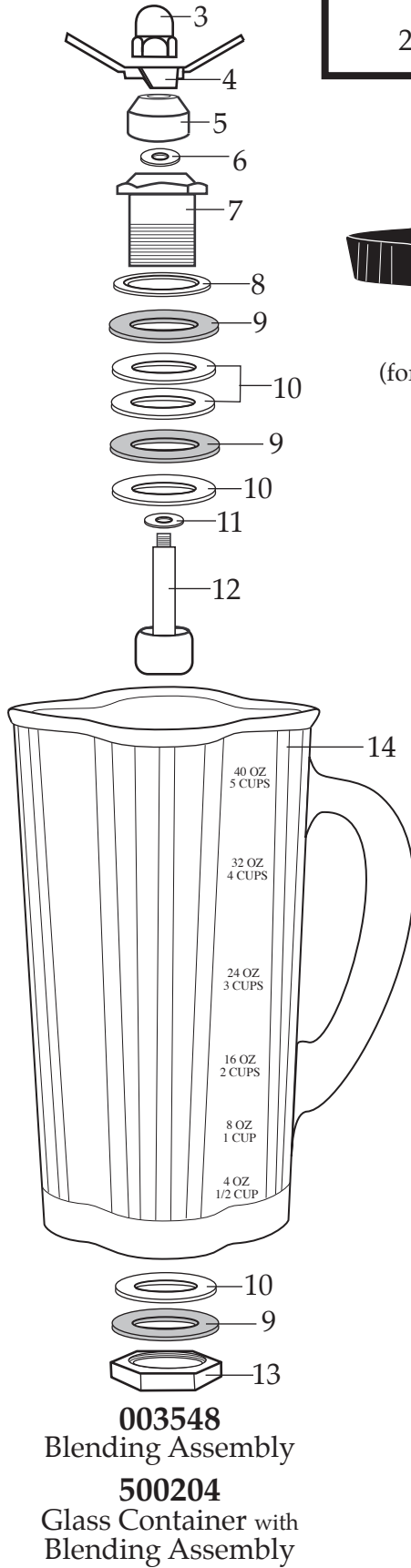
220-240V – 50/60Hz – 400W
 (on units after 5/8/2015)
 230V – 50Hz – 375W



Europe Variable Speed Blenders

LB20EG / glass container

LB20ES / stainless steel container



003548
Blending Assembly

500758
Stainless Steel Container
with Blending Assembly

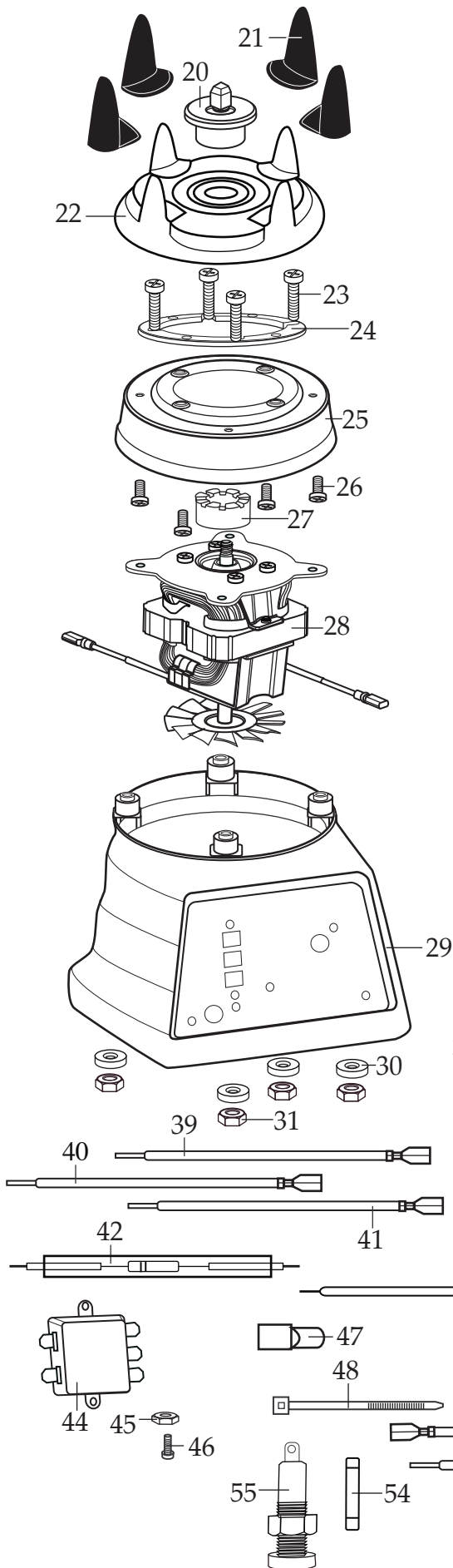
008065
Stainless Steel Container
with Blending Assembly
and Vinyl Lid

WARING COMMERCIAL

Base Unit Components

LB20EG

LB20ES



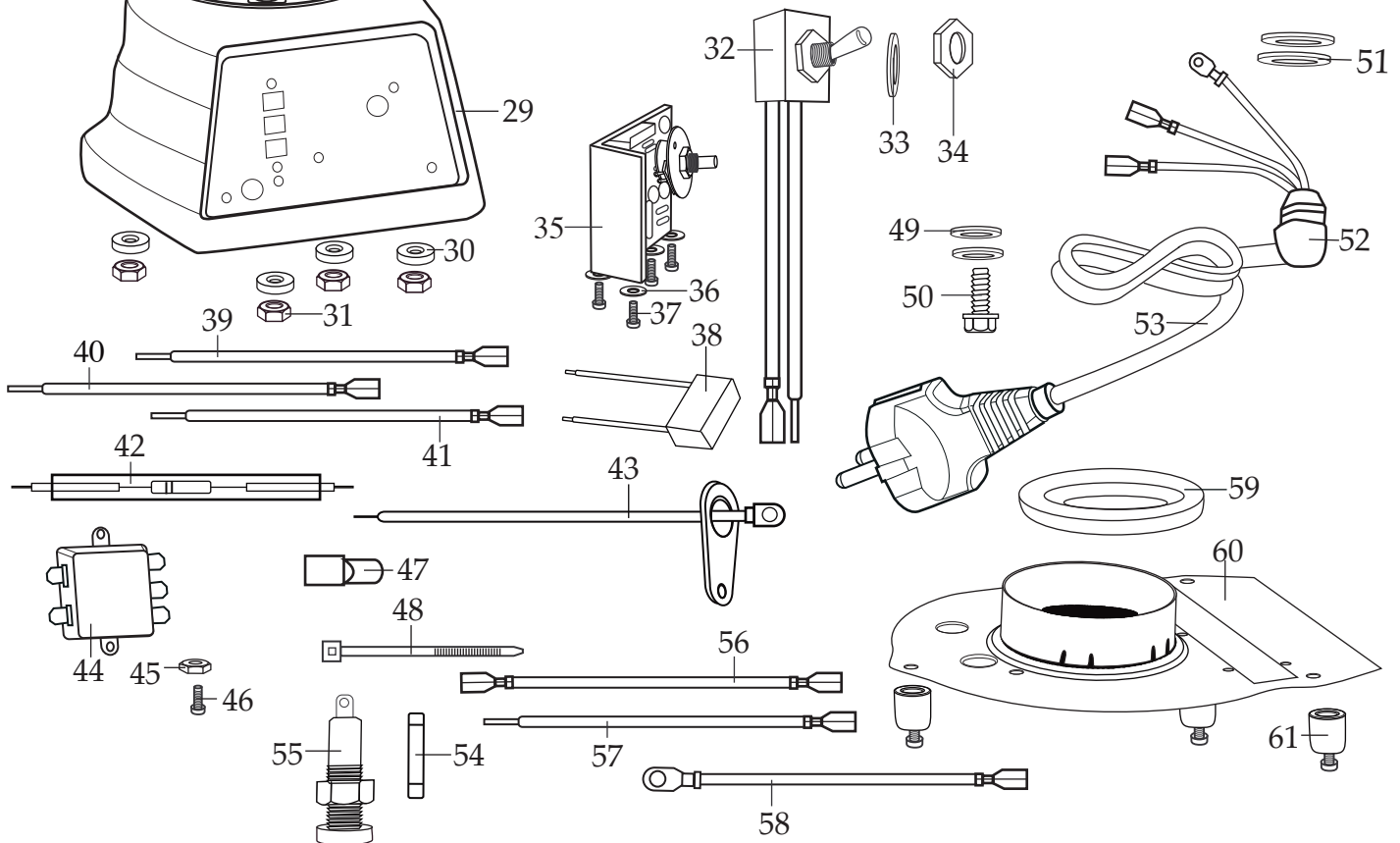
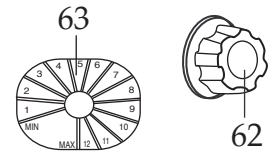
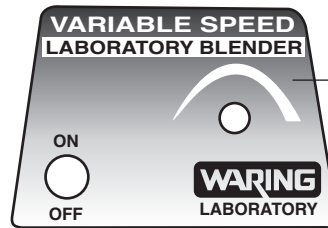
002644 Square Drive Stud

003507 Washer

003514 Slinger

035500 Coupling

503473 Drive Coupling
(on units after 5/8/2015)
parts that can be purchased separately



Catalog

LB20EG

LB20ES (on units after 5/8/2015) (on units after 4/6/2001)

220-240V- 50/60Hz - 400W 230V - 50Hz - 375W

Model

Same

38BL67



Illustration #	Part#	Description
1	003146	Center Lid
2	003574-09	Outer Lid (changed after 3/13/2007)
3	003504	Cap Nut
4	024204	Blade (changed after 7/11/2006)
5	003503	Bearing Cap
6	003508	Fairprene Washer
7	010012	Bearing Holder
8	009724	Nylon Washer
9	003537	Stainless Steel Washer (3 required)
10	003509	Neoprene Washer (4 required)
11	003510	Bakelite Washer
12	003500	Drive Shaft
13	009780	Hex Nut
14	003573	40 oz. Glass Container (5 cups)
15	011700	Center Lid (on units after 8/11/2011)
	003146	Center Lid
16	013443	Round Outer Lid
17	012860	32 oz. Stainless Steel Container
18	009762	Gasket
19	015055	Container Adapter
20	503473	Drive Coupling Assembly (on units after 9/9/2016)
	002518	Drive Coupling Assembly
21	003498	Jar Pad (4 required)
22	018996	Jar Holder
23	035411	Screw (4 required on units after 9/9/2016)
	012370	Screw (4 required)
24	035357	Upper Spacer (on units after 5/8/2015)
	016610	Half Baffle (2 required)
25	017283	Plated Motor Bracket
26	033787	Sems (4 required on units after 3/23/2017)
27	035339	Housing Seal (on units after 9/9/2016)
	019936	Housing Seal
28	035058	Chiaphua Motor (on units after 5/8/2015)
	026536	ECM Motor (on units after 5/5/2009)
	024147	ECM Motor (changed after 6/5/2001)
29	019943	Base
30	002676	Spacer (4 required on units after 9/9/2016)

Catalog

LB20EG

LB20ES

(on units after 5/8/2015)

220-240V – 50/60Hz – 400W

Model

Same

38BL67

(on units after 4/6/2001)

230V – 50Hz – 375W



Illustration #	Part #	Description
31	002881	Keyp Nuts (4 required <i>on units after 5/8/2015</i>) (1 required <i>on units after 4/11/2001</i>) (6 required)
32	502735	Toggle Switch Assembly <i>(on units after 6/5/2001)</i>
	502219	Toggle Switch Assembly
33	014604	Lock Washer
34	016236	Hex Nut <i>(changed after 3/10/2010)</i>
35	019394	Speed Control with Potentiometer
36	010955	Washer (4 required)
37	019181	Screw (4 required)
38	035920	Capacitor Assembly <i>(on units after 9/9/2016)</i>
39	502737	4" Black Lead Assembly (3 required)
40	502767	6" Brown Lead Assembly <i>(on units after 5/8/2015)</i>
41	503505	6" Blue Lead Assembly <i>(on units after 9/9/2016)</i>
	502738	6" Blue Lead Assembly
42	502763	Resistor Assembly <i>(on units after 5/8/2015)</i>
43	501658	10" Green-Yellow Lead Assembly (2 required <i>on units after 9/9/2016</i>)
	501658	10" Green-Yellow Lead Assembly <i>(on units after 5/8/2015)</i>
44	035893	EMI Filter <i>(on units after 9/9/2016)</i>
	503475	EMI Filter Assembly <i>(on units after 5/8/2015)</i>
	502448	EMI Filter Assembly
45	015097	Hex Nut (1 required <i>on units after 4/4/2017</i> - 2 required)
46	019181	Screw (1 required <i>on units after 4/4/2017</i> - 2 required)
47	019123	Large Crimp Connector (2 required <i>on units after 9/9/2016</i>)
	019123	Large Crimp Connector (2 required <i>on units after 5/8/2015</i>)
	012409	Small Crimp Connector (2 required <i>on units after 5/8/2015</i>)
	012409	Small Crimp Connector (4 required <i>on units after 2/12/2009</i>)
	012409	Small Crimp Connector (3 required)
48	013731	Cable Tie (5 required)
49	002943	Washer (4 required <i>on units after 9/9/2016</i>)
	002943	Washer (2 required <i>on units after 5/8/2015</i>) – (3 required)
50	027278	Ground Screw (2 required <i>on units after 5/8/2015</i>)
	013659	Screw (2 required <i>on units after 4/11/2001</i>)
	018317	Screw (2 required)
51	016042	Washer (2 required <i>on units after 3/25/2003</i>) – (3 required)
52	013680	Strain Relief
53	502782	Cord Set <i>(on units after 4/4/2017)</i>
	503476	Cord Set <i>(on units after 5/8/2015)</i>
	501842	Cord Set

Catalog

LB20EG

LB20ES (on units after 5/8/2015) (on units after 4/6/2001)
 220-240V - 50/60Hz - 400W 230V - 50Hz - 375W

Model


Same

38BL67

Waring Factory Service Center
 314 Ella T. Grasso Ave.
 Torrington, CT 06790
 Tele. 1-800-269-6640
 Fax 860-496-9017
 www.waringcommercialproducts.com


Illustration #	Part #	Description
54	035386	4 A Fuse Cartridge (on units after 3/3/2016)
55	035186	Fuse Holder (on units after 3/3/2016)
56	503503	9" Blue Lead Assembly
57	503504	6" Brown Lead Assembly
58	503506	6" Green-Yellow Lead Assembly
59	900243	Insulating Tape (on units after 3/16/2018)
	035989	Channel Baffle Guard (on units after 4/4/2017)
60	502736	Bottom Plate with Screen
61	503376	Foot & Screw Assembly (3 required on units after 6/28/2010)
	002891	Foot (3 required uses 003569 screw NO Longer Available use 503376)
62	019270	Potentiometer Knob
63	025665	Increments Overlay
64	023052	Name Plate


Parts No Longer Used





 **024377 - Insulating Sleeve**
 (last used on 4/23/2015)

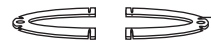
 **014603 - Locking Ring**
 (last used 5/8/2015)


 **018455 - Reset Switch**
 (Obsolete)



 **015184 - Hex Nut**
 (last used 5/8/2015)


 **010955 - Washer** (2 required with EMI Filter)
 (last used 9/9/2016)

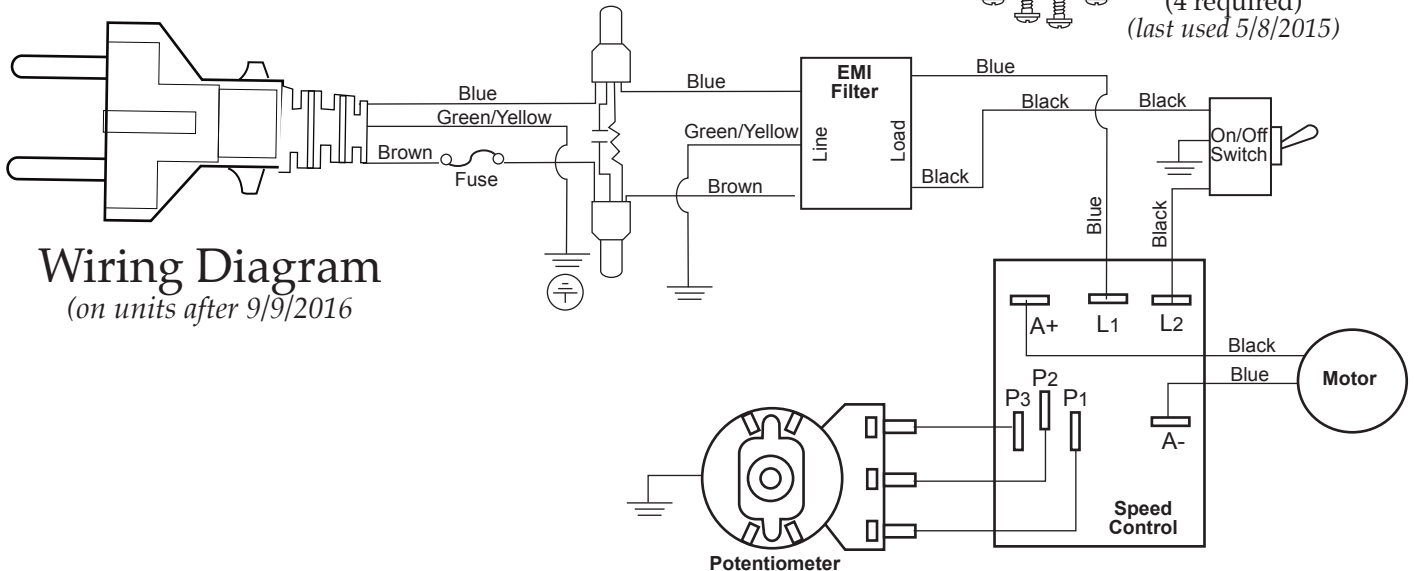
 **002644 - Square Drive Stud**
 **003507 - Washer**
 **003514 - Slinger**
 **002882 - Coupling**
002518 Drive Coupling
 (parts that can be purchased separately)
 (last used 9/9/2016)

 **016610 - Baffle**
 (2 required)
 (last used 5/8/2015)

 **012370 - Screw**
 (4 required)
 (last used 5/8/2015)

 **012369 - Kep Nut**
 (4 required)
 (last used 5/8/2015)
 **026536 ECM Motor**
 (last used 5/8/2015)

 **005240 - Screw**
 (4 required)
 (last used 5/8/2015)



Catalog

LB20EG

LB20ES

(on units after 5/8/2015) *(on units after 4/6/2001)*

220-240V – 50/60Hz – 400W 230V – 50Hz – 375W

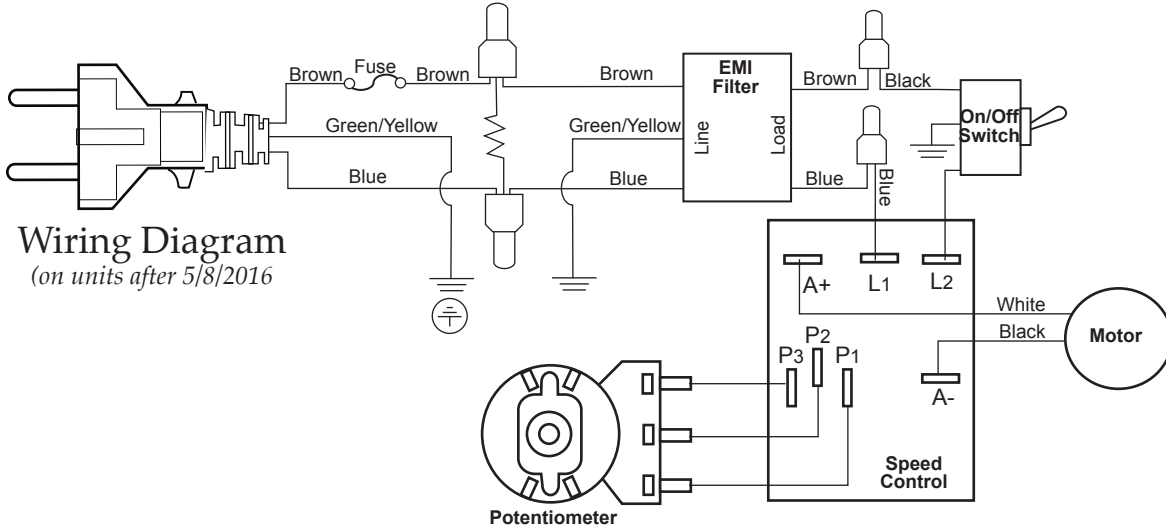
Model

Same

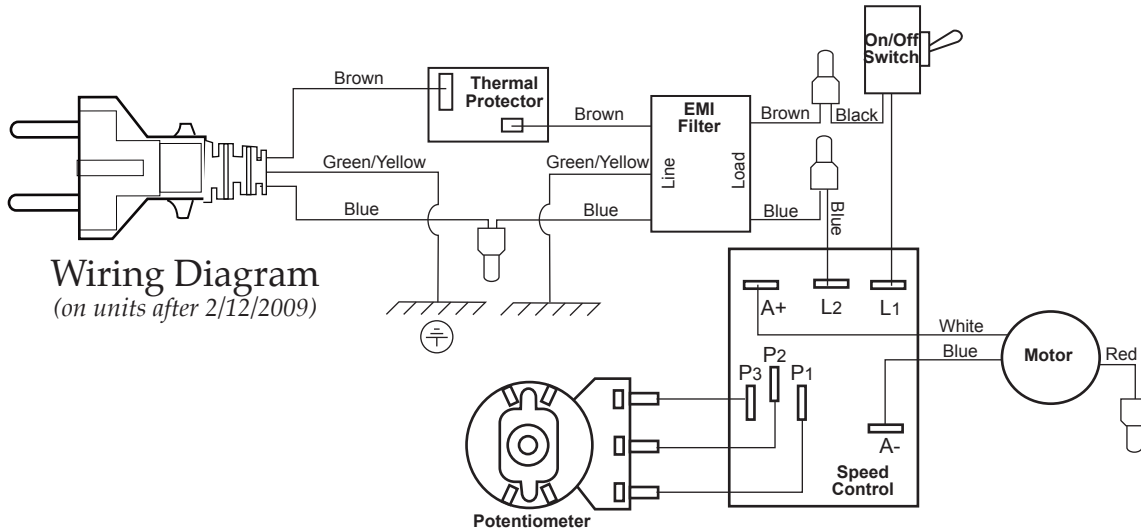
38BL67

Waring Factory Service Center
314/Ella T. Grasso Ave.
Torrington, CT 06790
Tele. 1-800-269-6640

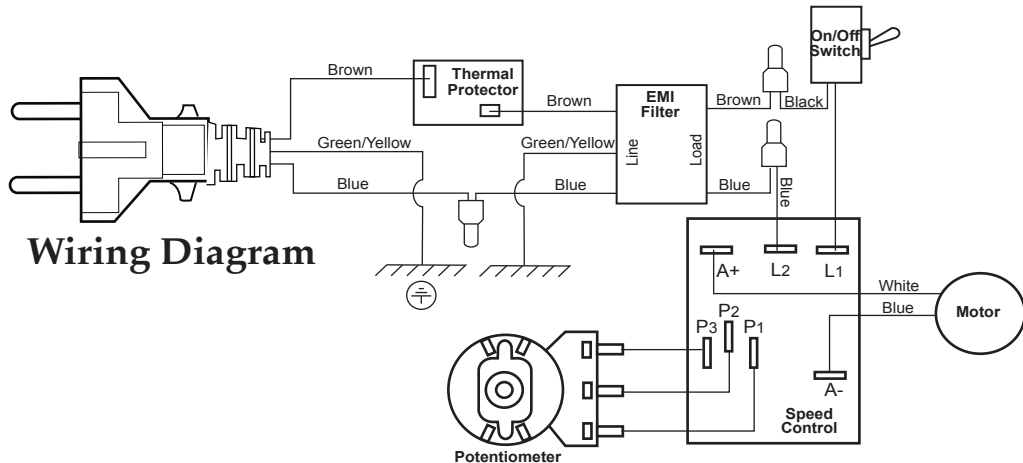
Fax 860-496-9017
www.waringcommercial.com



Wiring Diagram
(on units after 5/8/2016)



Wiring Diagram
(on units after 2/12/2009)



Wiring Diagram